



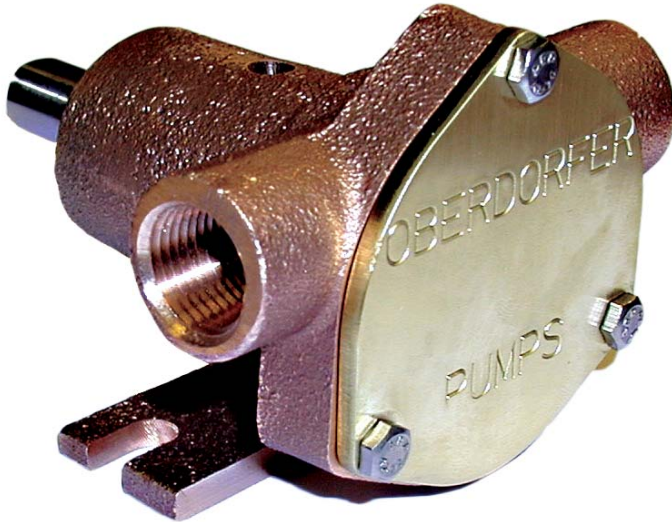
OBERDORFER PUMPS

A Gardner Denver Product

Bronze Pedestal Rubber Impeller Pumps

Model N200M

Pipe size 3/8"



FEATURES:

- Bronze Construction
- 3/8" Suction and Discharge Ports
- Mechanical Carbon Ring, Ceramic Face Main
- Pump Seal Standard, Optional Buna N Lip Seal
- Two Sealed Ball Bearings Spaced for Maximum Load Ability
- Drain Openings Separate Seal & Bearing Areas
- Neoprene Impeller Standard
- Stainless Steel Shaft
- Machined-in Cam

APPLICATIONS:

- | | |
|---------------------|----------------------|
| • MARINE | • INDUSTRIAL |
| - Engine cooling | - Mixing |
| - Bilge | - Liquid circulation |
| - Water Circulation | - Sump drainage |
| - Ballast Transfer | |
| - Wash-down | |

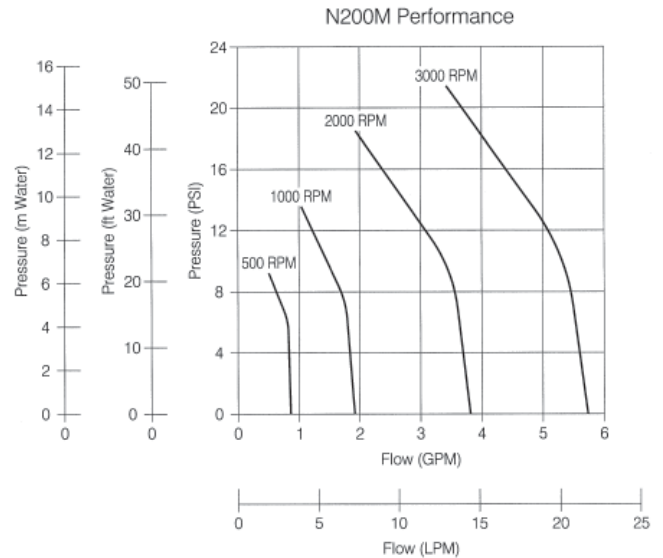
ROTATION:

Direction of shaft rotation determines inlet and outlet ports (see line drawing).

MOUNTING:

Pump will operate satisfactorily when mounted in any position. Do not run dry. Rubber impeller pumps generate high rubbing friction unless lubricated by liquid pumped. Lack of liquid will cause impeller to burn up.

LIQUIDS AND TEMPERATURE:



LIQUIDS AND TEMPERATURE:

Liquids compatible with neoprene can be pumped including fresh and salt water solutions and mild chemicals. Do not pump severe solvents or acids. When possible, flush pump with fresh water after each usage.

Extremes of cold and heat will affect impeller life. Limits of 40° to 140° F should be observed. Do not allow liquid in pump to freeze. Drain pump by loosening cover screws. Use methyl alcohol based anti-freeze compounds.

DRIVE:

Either direct drive with flexible coupling or pulley drive can be used. Make sure both flexible coupling halves are properly aligned. When using pulley, do not overtighten belt.

SUCTION LIFT:

Suction lift of 15 feet is possible when impeller is wet. Suction lines must be air tight in order for pump to self prime. A foot valve at beginning of suction line is recommended.

IMPELLER REPLACEMENT:

The impeller must be replaced if it is worn out or has been damaged by debris or by running the pump dry. Symptoms of a defective impeller are low pumping pressure and low flow causing overheating of the engine. Poor pump performance can also be caused by slippage of V-belts, so belts should be checked for tightness.

Bronze Pedestal Rubber Impeller Pumps

Model N200M

IMPELLER REPLACEMENT (CONTD):

To replace the impeller remove screws and cover. Pull out the impeller with nose pliers or two screwdrivers. Be careful not to dent the pumping chamber with these tools. When inserting new impeller, line pin in impeller with the slot in the shaft. Use oil on shaft and avoid forcing the impeller onto the shaft.

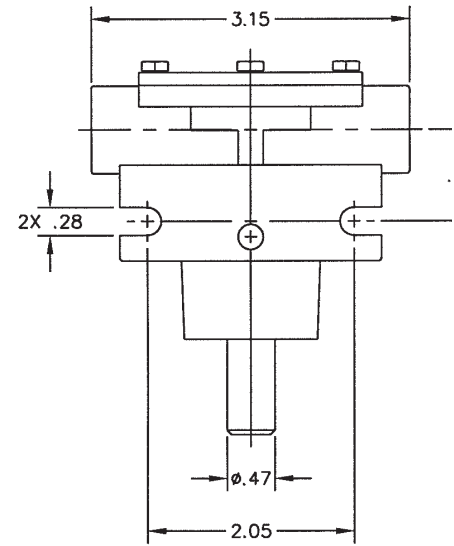
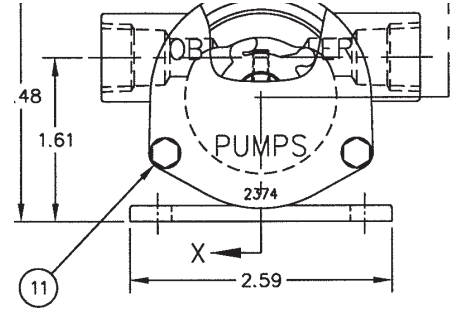
The impeller should also be removed for storage periods to prevent the blades from taking a permanent set.

SEAL REPLACEMENT:

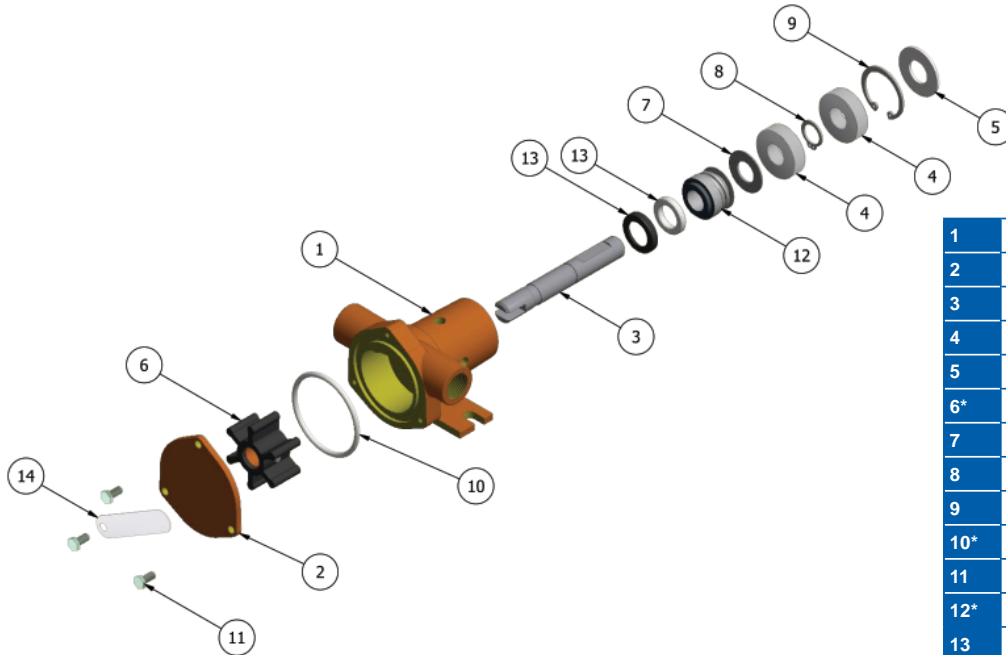
If water drips from the weep hole or from the area where the shaft exits the pump, the seal is defective and must be replaced. Prolonged running of the pump with a leaky seal can destroy the ball bearings resulting in catastrophic pump failure and engine shut-down.

For seal replacement, the pump must be removed from the engine and disassembled in order to gain access to the seal area. Where mechanical seals are used, both components (stationary and rotating member) must be replaced at the same time.

Dimensions



Exploded View and Parts List



1	Qty. 1	2373	Body
2	Qty. 1	2374	Cover
3	Qty. 1	2375	Shaft
4	Qty. 2	2376	Ball Bearing
5	Qty. 1	2378	Dust Shield
6*	Qty. 1	2379	Impeller
7	Qty. 1	2383	Washer, Raised
8	Qty. 1	2388	Ret. Ring, 12mm
9	Qty. 1	2389	Ret. Ring Int, 28mm
10*	Qty. 1	2390-134	O-ring Buna
11	Qty. 3	2391	Screw, M 4x0.7-6g
12*	Qty. 1	33212	Mech. Seal Assy
13	Qty. 1	8420	Booted Ceramic

* Repair Kit #12310 contains items 6, 10, 12



OBARDORFER PUMPS

A Gardner Denver Product

5900 Firestone Drive, Syracuse, NY 13206

Phone: (800) 448-1668; (315) 437-0361 • Fax: (315) 463-9561

Visit www.oberdorfer-pumps.com to find in-depth descriptions of the world's leading high-quality, dependable pumps.

Due to ongoing product improvements, data shown here is subject to change without notice. Contact Oberdorfer Pumps for latest specifications.

N200M.100112