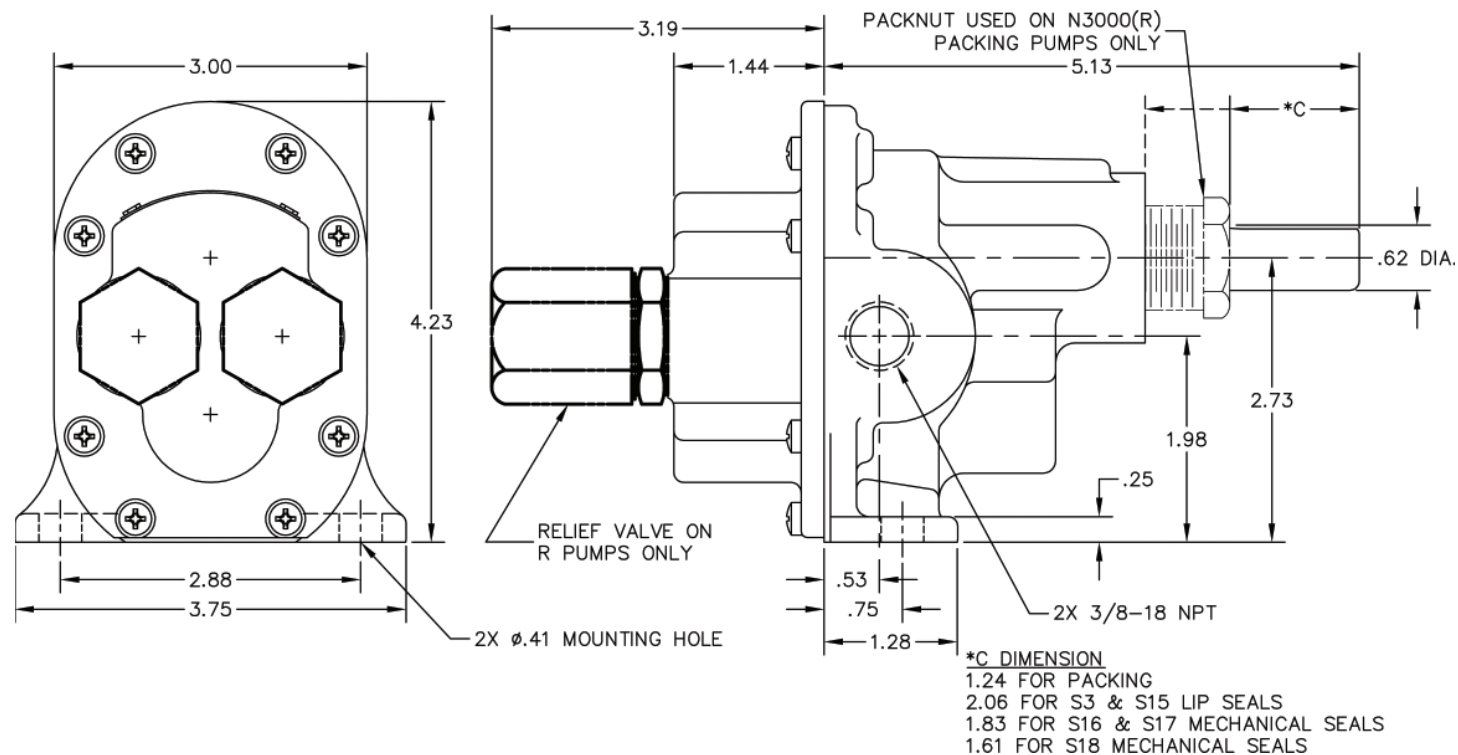


# Bronze Pedestal Rotary Gear Pumps

N3000 Series

## Dimensions



# OBERDORFER PUMPS

by Gardner Denver

# Bronze Pedestal Rotary Gear Pumps

N3000 Series

## 3/8" NPT Ports



### DRIVE:

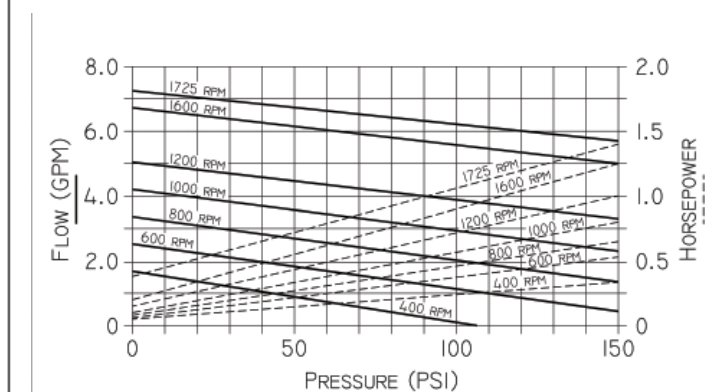
Either direct drive with flexible coupling or pulley drive can be used. Make sure both flexible coupling halves are properly aligned. When using a pulley, do not overtighten the belt. Also, to absorb belt side thrust at higher pressures and larger size pumps, an external ball bearing support is recommended -- consult factory.

### SUCTION LIFT:

Close tolerances and the positive pumping action make the rotary gear pump capable of lifting water on the suction side as high as 20 feet. Though gear pumps are self priming, a foot valve is recommended. If possible, wet the gears with liquid to be pumped for the first dry start. Liquid retained in the system and gear chambers serves to "wet" the pump on subsequent starts.

### PERFORMANCE:

CAPACITY WATER AT 70°F



### FEATURES:

- Bronze Corrosion Resistant Castings
- Special Cast Bronze Gears
- Stainless Steel Shafts & Fasteners
- Formed Ring Seal Packing (Lip & Mechanical Seals on Special Order)
- Heavy Duty Carbon Bearings (Self Lubricating)
- Positive Displacement Flow

### LIQUIDS AND TEMPERATURE:

Service life will be increased substantially if the liquid pumped is clean and has some degree of lubricity. These positive displacement pumps have tight tolerances. Fine abrasives like sand, silt, or powders in suspension will accelerate pump wear and reduce throughput.

Liquids compatible with bronze and stainless steel can be pumped providing proper seal has been specified (see chemical compatibility or check factory). When possible, flush the pump after each usage.

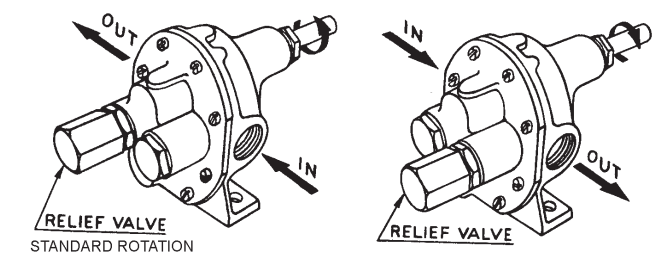
Temperature extremes are detrimental to service life and should be avoided. Basic metals of construction allow a temperature range of -40 to 400° F. Some lip and mechanical seal elastomers have a limit of 212° F (see engineering data or check factory). Allowing a liquid to freeze in the pump can cause damage.

### BY-PASS AND ROTATION:

The pump by-pass is not intended to be a metering or flow control device. Its main purpose is to function as a pressure relief when the desired set point is exceeded, overheating can occur within 5-10 minutes if the discharge line is completely shut off for extended periods.

Reversing rotation reverses the "IN" and "OUT" ports and the location of the by-pass ports have to be reversed.

The by-pass valve is factory set at 50 psi. To increase the setpoint, turn the by-pass valve adjusting screw in a clockwise direction.



NBR = Acrylonitrile-Butadiene PTFE = Polytetrafluorethylene FKM = Fluoroelastomer



# OBERDORFER PUMPS

by Gardner Denver

5900 Firestone Drive, Syracuse, NY 13206

Phone: (800) 448-1668; (315) 437-0361 • Fax: (315) 463-9561

Visit [www.oberdorferpumps.com](http://www.oberdorferpumps.com) to find in-depth descriptions of the world's leading high-quality, dependable pumps.

Due to ongoing product improvements, data shown here is subject to change without notice. Contact Oberdorfer Pumps for latest specifications.

# Bronze Pedestal Rotary Gear Pumps

## N3000 Series

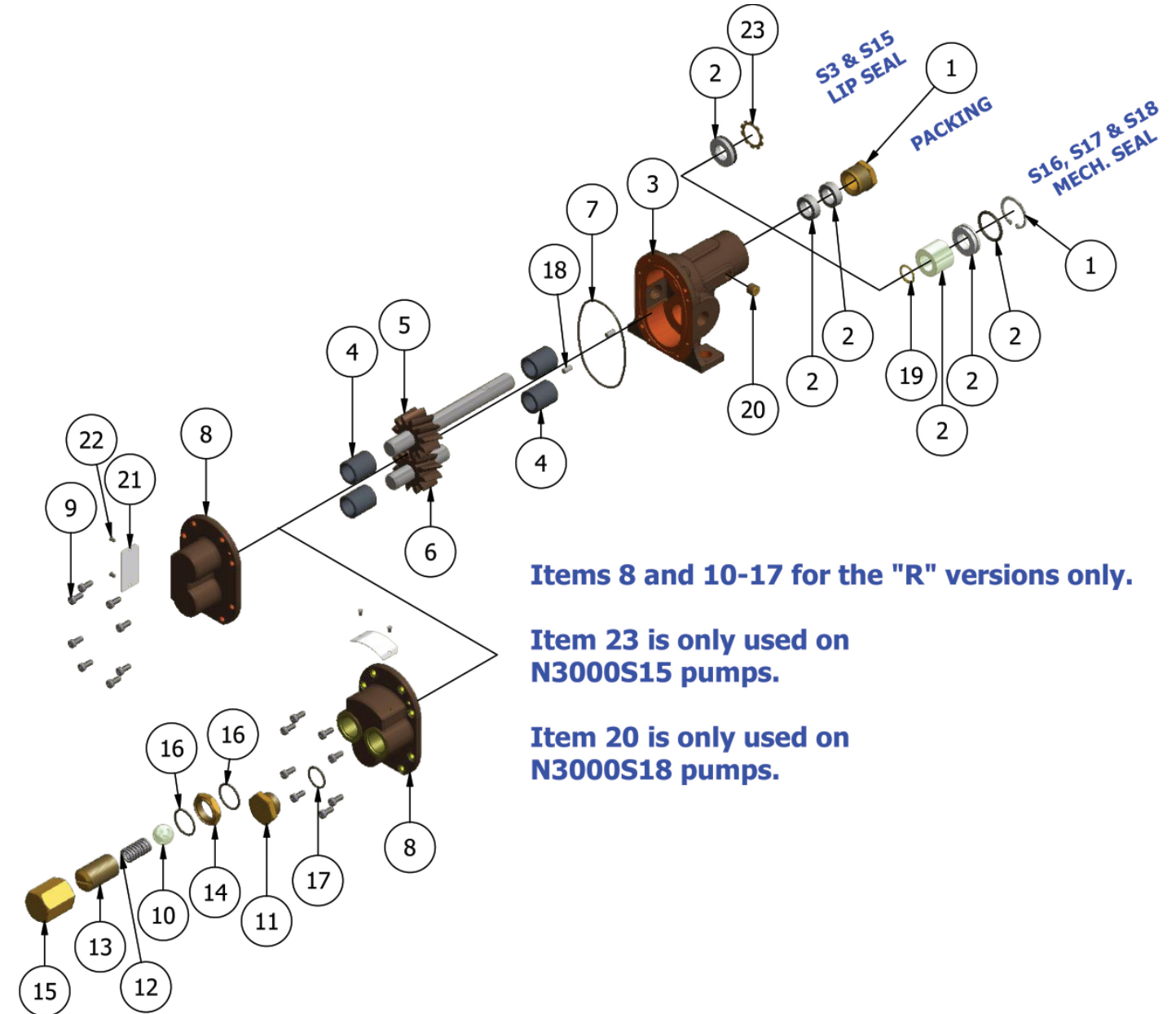
### Parts List

		1	2	3	4	5	6	7	8	9	10	
		Packnut or Retaining Ring	Packing	Seal	Body	Bearing	Drive Gear Assy	Idle Gear Assy	O-ring	Cover	Screw	Ball
Model	Seal Arrangement	Qty. 1	Qty. 2	Qty. 1	Qty. 1	Qty. 4	Qty. 1	Qty. 1	Qty. 1	Qty. 1	Qty. 8	Qty. 1
N3000	Packing	1762	5479	NA	9318NC1N	5091	33001	33002	9797-041	9322NN5N	5385	NA
N3000S3	NBR Lip	NA	NA	5463	9318NC2N	5091	33001	33002	9797-041	9322NN5N	5385	NA
N3000S15	FKM Lip	NA	NA	9997	9318NC2N	5091	33001	33002	9797-041	9322NN5N	5385	NA
N3000S16	NBR Bellows Mech.	5374	NA	32202	9372NC9N	5091	33045	33002	9797-041	9322NN5N	5385	NA
N3000S17	FKM Bellows Mech.	5374	NA	32235	9372NC9N	5091	33045	33002	9797-041	9322NN5N	5385	NA
N3000S18	NBR Wedge Mech.	5374	NA	32923	9372NC6N	5091	33045	33002	9355-041	9322NN5N	5385	NA
Relief Valve Versions: N3000R, N3000RS3, N3000RS15, N3000RS16, N3000RS17, N3000RS18										9323NN5B		5206

	11	12	13	14	15	16	17	18	19	20	21	22	23	
	Plug Nut	Spring	Adj. Screw	Locknut	Bypass Nut	O-Ring	O-Ring	Dowel Pin	Retaining Ring	Pipe Plug	Tag	Tag Screw	Lock Ring	Repair Kit
Model	Qty. 1	Qty. 1	Qty. 1	Qty. 1	Qty. 1	Qty. 2	Qty. 1	Qty. 2	Qty. 1	Qty. 1	Qty. 1	Qty. 2	Qty. 1	
N3000	NA	NA	NA	NA	NA	NA	NA	8885	NA	NA	9344	9345	NA	10636
N3000S3	NA	NA	NA	NA	NA	NA	NA	8885	NA	NA	9344	9345	NA	11350
N3000S15	NA	NA	NA	NA	NA	NA	NA	8885	NA	NA	9344	9345	3033	12105
N3000S16	NA	NA	NA	NA	NA	NA	NA	8885	5382	NA	9344	9345	NA	12134
N3000S17	NA	NA	NA	NA	NA	NA	NA	8885	5382	NA	9344	9345	NA	12135
N3000S18	NA	NA	NA	NA	NA	NA	NA	8885	5382	6052	9344	9345	NA	12136
Relief Valve Versions	5205	5207	5200	5209D	5204	9797-021	9797-018							

Repair kit contain items 2, 4, 5, 6 & 7

### Exploded View



Items 8 and 10-17 for the "R" versions only.

Item 23 is only used on N3000S15 pumps.

Item 20 is only used on N3000S18 pumps.